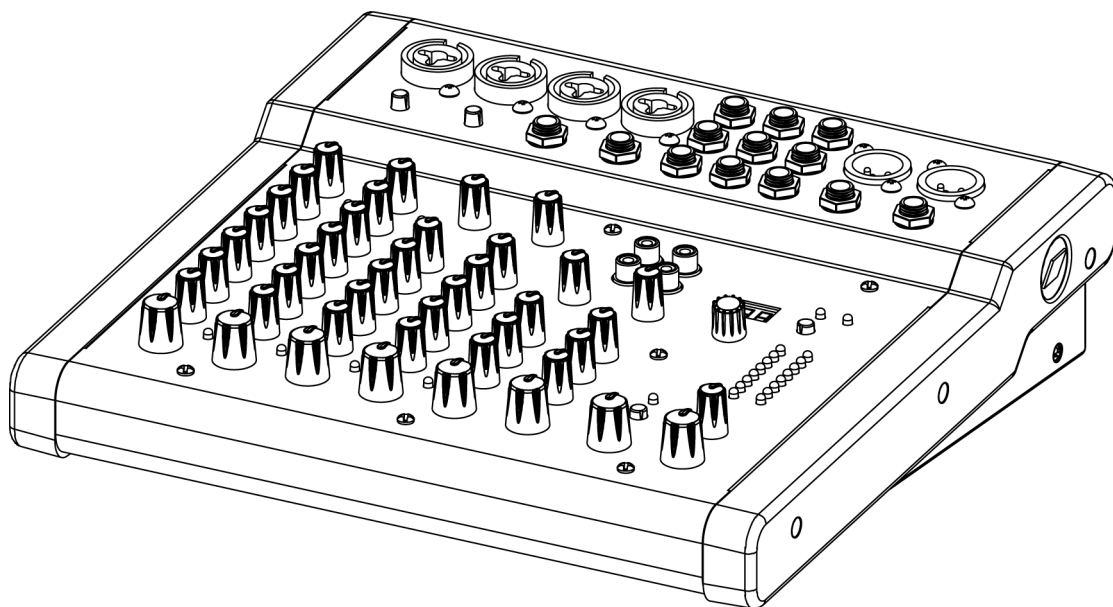




# MQ10FX

10 Channel Mixer with Effect

USER'S MANUAL  
MANUALE D'USO



ENGLISH  
ITALIANO



## SUMMARY - ENGLISH

DISPOSAL OF OLD ELECTRICAL & ELECTRONIC EQUIPMENT .....	4
GENERAL SAFETY INSTRUCTIONS .....	4
IN CASE OF FAULT .....	4
PACKAGING, SHIPPING AND COMPLAINT .....	4
WARRANTY AND PRODUCTS RETURN .....	4
MAINTENANCE AND DISCLAIMER.....	5
POWER SUPPLY .....	5
CONFORMITY .....	5
INTRODUCTION .....	6
DESCRIPTION .....	6
INSTRUCTIONS .....	6
1. MIC-XLR / LINE-JACK combo input (ch. 1 / 2) .....	6
2. LO CUT switch (ch. 1 / 2) .....	8
3. CHANNEL GAIN control (ch. 1 / 2 / 3-4 / 5-6) .....	8
4. COMP compressor control (ch. 1 / 2) .....	8
5. COMP indicator (ch. 1 / 2).....	8
6. EQ section HIGH control (ch. 1 / 2 / 3-4 / 5-6 / 7-8 / 9-10) .....	8
7. EQ section MID control (ch. 1 / 2 / 3-4 / 5-6) .....	8
8. EQ section LOW control (ch. 1 / 2 / 3-4 / 5-6 / 7-8 / 9-10) .....	8
9. FX send control (ch. 1 / 2 / 3-4 / 5-6 / 7-8 / 9-10).....	8
10. PAN control (ch. 1 / 2) .....	8
11. FADER LEVEL control (ch. 1 / 2 / 3-4 / 5-6 / 7-8 / 9-10) .....	9
12. PEAK detector (ch. 1 / 2 / 3-4 / 5-6) .....	9
13. MIC-XLR / LINE-JACK L MONO combo input (ch. 3-4 / 5-6) .....	9
14. LINE-JACK R Input (ch. 3-4 / 5-6) .....	9
15. BAL control (ch. 3-4 / 5-6 / 7-8 / 9-10) .....	9
16. LINE LEFT/MONO jack input (ch. 7-8 / 9-10).....	9
17. LINE RIGHT jack input (ch. 7-8 / 9-10).....	9
18. LINE RCA L & R inputs (ch. 7-8 / 9-10).....	9
19. FX MUTE pedal jack input.....	9
20. FX SEND jack output .....	9
21. FX PRESETS selector.....	9
22. FX DISPLAY number .....	10
23. EFFECT MUTE button.....	10
24. EFFECT PEAK/MUTE detector .....	10
25. FX LEVEL control .....	10
26. MAIN MIX FADER control .....	11
27. MAIN MIX L & R XLR output (balanced) .....	11
28. MAIN MIX L & R jack output (balanced).....	11
29. PHONES stereo jack output .....	11
30. C.ROOM jack output.....	11
31. PHONES and C.ROOM level control.....	11
32. L & R LEVEL meters.....	11
33. +48V phantom switch and LED.....	11
34. ON led.....	11
35. 18V~ supply socket input .....	12



36. POWER switch .....	12
37. Power cable hook .....	12
TECHNICAL SPECIFICATION .....	12
Mechanical Dimensions .....	25
Configurations Example .....	26
Connectors .....	27



## DISPOSAL OF OLD ELECTRICAL & ELECTRONIC EQUIPMENT



This marking shown on the product or its literature, indicates that it should not be disposed with other household wastes at the end of its working life. To prevent possible harm to the environment or human health from uncontrolled waste disposal, please separate this from other types of wastes and recycle it responsibly to promote the sustainable reuse of material resources.

Household users should contact either the retailer where they purchased this product, or their local government office, for details of where and how they can take this item for environmentally safe recycling. Business users should contact their supplier and check the terms and conditions of the purchase contract. This product should not be mixed with other commercial wastes for disposal.

## GENERAL SAFETY INSTRUCTIONS

- **CAUTION** - Before using this product read carefully the following safety instructions. Take a look of this manual entirely and preserve it for future reference. When using any electric product, basic precautions should always be taken, including the following:
- To reduce the risk, close supervision is necessary when the product is used near children.
- Protect the apparatus from atmospheric agents and keep it away from water, rain and high humidity places.
- This product should be site away from heat sources such as radiators, lamps and any other device that generate heat.
- Care should be taken so that objects and liquids do not go inside the product.
- The product should be connected to a power supply only of the type described on the operating instructions or as marked on the product.

## IN CASE OF FAULT

- In case of fault or maintenance this product should be inspected only by qualified service personnel when:
  - Liquids have spilled inside the product.
  - The product has fallen and been damaged.
  - The product does not appear to operate normally or exhibits a marked change in performance.
- Do not operate on the product, it has no user-serviceable parts inside.
- Refer servicing to an authorized maintenance centre.

## PACKAGING, SHIPPING AND COMPLAINT

- This unit package has been submitted to ISTA 1A integrity tests. We suggest you control the unit conditions immediately after unpacking it.
- If any damage is found, immediately advise the dealer. Keep all unit packaging parts to allow inspection.
- Proel is not responsible for any damage that occurs during shipment.
- Products are sold “delivered ex warehouse” and shipment is at charge and risk of the buyer.
- Possible damages to unit should be immediately notified to forwarder. Each complaint for manumitted package should be done within eight days from product receipt.

## WARRANTY AND PRODUCTS RETURN

- Proel products have operating warranty and comply their specifications, as stated by manufacturer.
- Proel warrants all materials, workmanship and proper operation of this product for a period of two years from the original date of purchase. If any defects are found in the materials or workmanship or if the product fails to function properly during the applicable warranty period, the owner should inform about these defects the dealer or the distributor, providing receipt or invoice of date of purchase and defect



detailed description. This warranty does not extend to damage resulting from improper installation, misuse, neglect or abuse. Proel S.p.A. will verify damage on returned units, and when the unit has been properly used and warranty is still valid, then the unit will be replaced or repaired. Proel S.p.A. is not responsible for any "direct damage" or "indirect damage" caused by product defectiveness.

## MAINTENANCE AND DISCLAIMER

- Clean only with dry cloth.
- Proel products have been expressly designed for audio application, with signals in audio range (20Hz to 20kHz). Proel has no liability for damages caused in case of lack of maintenance, modifications, improper use or improper installation non-applying safety instructions.
- Proel S.p.A. reserves the right to change these specifications at any time without notice.
- Proel S.p.A. declines any liability for damages to objects or persons caused by lack of maintenance, improper use, installation not performed with safety precautions and at the state of the art.

## POWER SUPPLY

- Do not place the power adaptor and its cord near heat sources such as heaters or radiators, and do not excessively bend or otherwise damage the cord, place heavy objects on it, or place it in a position where anyone could walk on, trip over, or roll anything over it.
- Before connecting the product to the mains outlet make certain that the mains line voltage matches that shown on the name plate of the adaptor and that the AC outlet is protected by a residual current circuit breaker, a voltage tolerance of up to  $\pm 10\%$  is acceptable.
- If you intend to use the device in an area other than in the one you purchased, the included power adaptor may not be compatible.
- Use the supplied adaptor only. Using the wrong adaptor can result in damage to the device or overheating.
- When setting up the device, make sure that the AC outlet you are using is easily accessible. If some trouble or malfunction occurs, immediately turn the power off and disconnect the plug from the outlet. Even when the power is turned off, electricity is still flowing to the product at the minimum level. When you are not using the product for a long time or before electrical storms, make sure to unplug the power cord from the wall AC outlet to reduce the risk of electric shock or fire.

## CONFORMITY

- The product is in compliance with CE Directive LVD 2014 / 35 / CE as stated in EN 60065 standard.
- The product is in compliance with CE Directive EMC 2014 / 30 / CE as stated in EN 55103-1 and EN 55103-2 standards.

### FCC COMPLIANCE NOTICE

This device complies with part 15 of the FCC rules. Operation is subject to the following two conditions:

- (1) This device may not cause harmful interference, and
- (2) This device must accept any interference received, including interference that may cause undesired operation.

**CAUTION: Changes or modifications not expressly approved by the party responsible for compliance could void the user's authority to operate the equipment.**

NOTE: This equipment has been tested and found to comply with the limits for a Class B digital device, pursuant to part 15 of the FCC Rules. These limits are designed to provide reasonable protection against harmful interference in a residential installation. This equipment generates, uses, and can radiate radio frequency energy and, if not installed and used in accordance with the instruction manual, may cause harmful interference to radio communications. However, there is no guarantee that interference will not occur in a particular installation. If this equipment does cause harmful interference to radio or television reception, which can be determined by turning the equipment off and on, the user is encouraged to try to correct the interference by one or more of the following measures:

- Reorient or relocate the receiving antenna.
- Increase the separation between the equipment and receiver.
- Connect the equipment into an outlet on a circuit different from that to which the receiver is connected.
- Consult the dealer or an experienced radio/TV technician for help.



## INTRODUCTION

Thank you for choosing this PROEL product and for your trust in our brand, synonymous of professionalism, accuracy, high quality and reliability. All our products are CE approved and designed for continuous use in professional applications.

## DESCRIPTION

MQ is a series of mixers created by PROEL to offer in a very compact and stylish package a high input density, a full set of features and a superior audio quality, at a very convenient price point. The MQ series includes 5 models with 6, 10, 12 and 16 inputs, able to satisfy most of the sound reinforcement applications. Carefully designed and engineered in Italy by PROEL R&D, MQ mixers are hosted in ultra-rugged cases, providing extended durability for a stage-proof use.

The smallest models of the series, MQ6 and MQ6FX, offer in an ultra-compact format the performance of professional consoles, delivering a clean and accurate sound. The MQ6FX, despite its small size, includes a high-quality 24-bit DSP able to provide musicians and performers with studio-grade effects.

MQ10FX, together with 3-band EQ and one-knob intelligent COMPRESSORS, offers also 100 DSP presets with a convenient LED display for the selection.

MQ12USB additional features include an USB audio I/O interface and extended mixing capability with MONITOR send, STEREO GROUP bus and 45mm control faders.

The top-of-the-line MQ16USB feature 16 inputs and 12 microphone channels together with sweep mids and one-knob intelligent COMPRESSORS on mono channels, 4 AUX sends, STEREO GROUP bus and 60mm control faders.

Optional padded carrying bags and metal brackets for 19" rack mounting are available for selected models.

## INSTRUCTIONS

### 1. MIC-XLR / LINE-JACK combo input (ch. 1 / 2)

This is a female MIC-XLR / LINE-JACK combo connector that accepts a balanced microphone XLR input from almost any type of microphone, or a balanced or unbalanced line level JACK input signal from almost any line source.

The MIC-XLR input is wired as follows:

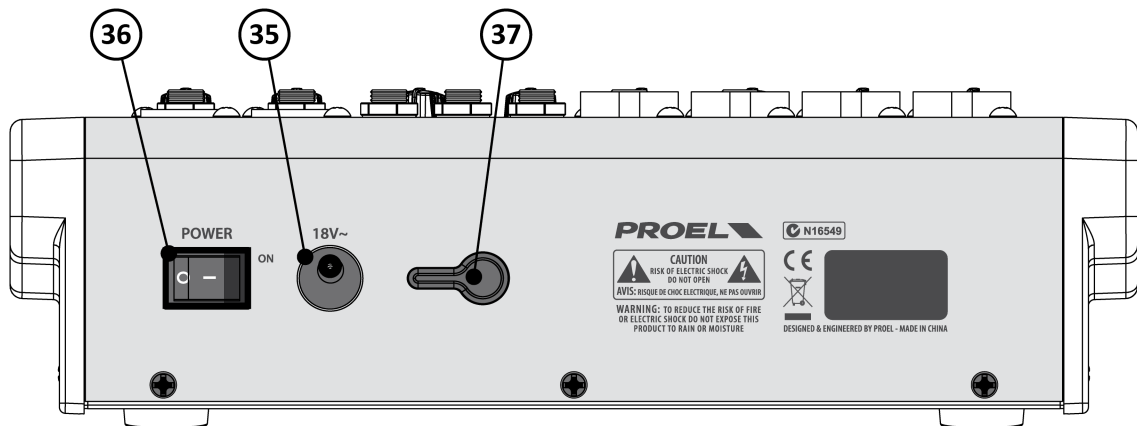
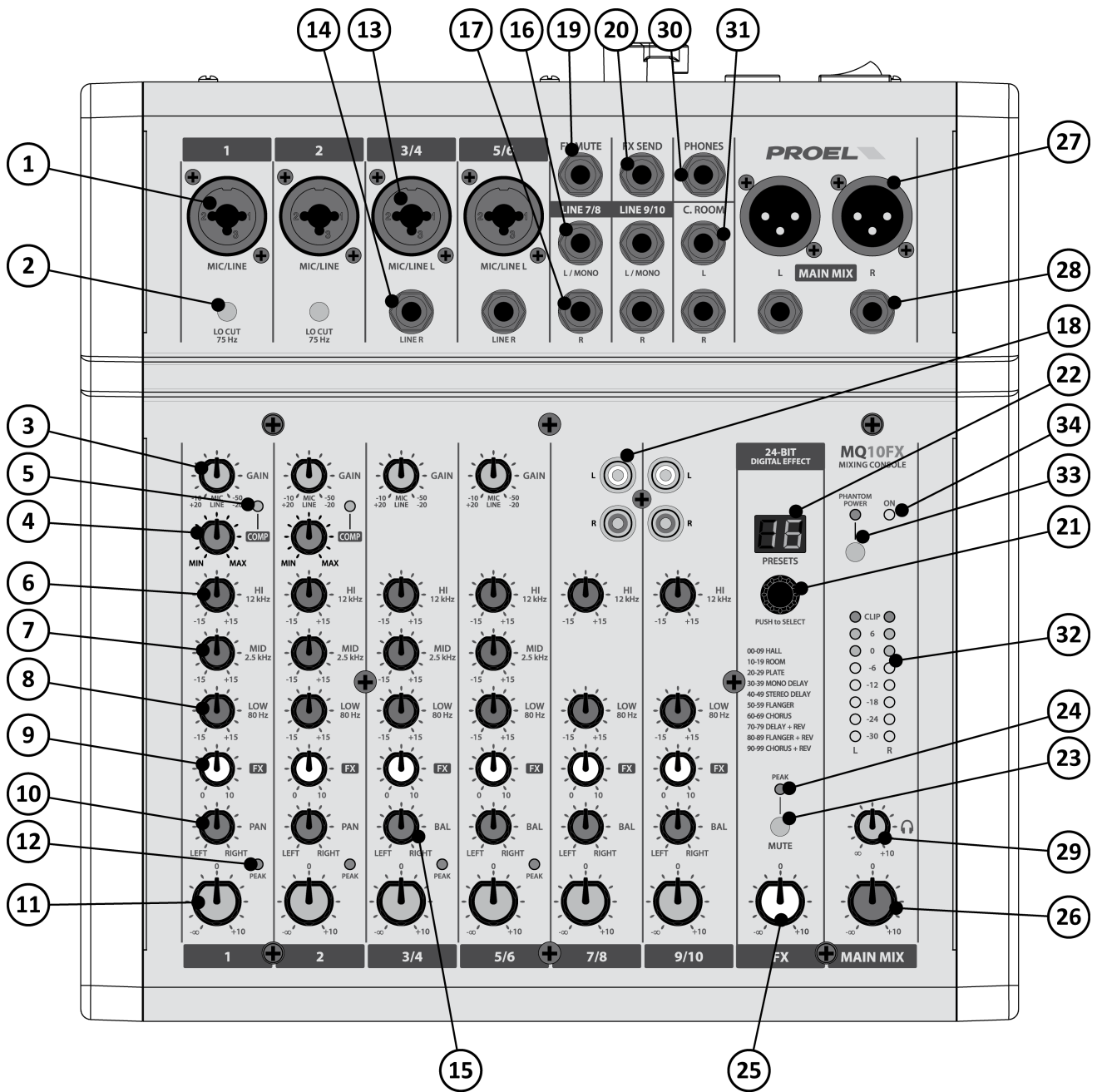
- Pin 1 = shield or ground
- Pin 2 = + positive or "hot"
- Pin 3 = - negative or "cold"

The LINE-JACK input is wired as follows:

- Tip = + positive or "hot"
- Ring = - negative or "cold"
- Sleeve = shield or ground

When connecting an unbalanced signal, wire them as follows:

- Pin2 / Tip = + positive or "hot"
- Pin 1-3 / Sleeve = shield or ground





## **2. LO CUT switch (ch. 1 / 2)**

This switch cuts bass frequencies below 75 Hz at a rate of 18 dB per octave. We recommend that you use the LO CUT filter on every microphone application except kick drum, bass guitar, bassy synth patches or recordings. These aside, there isn't much down there that you want to hear and filtering it out makes the low stuff you do want much more crisp and tasty. Not only that, but the LO CUT filter can help reduce the possibility of feedbacks in live situations and it helps to conserve the amplifier power. Another way to use the LO CUT filter is in combination with the LOW EQ on vocals during live performances. Many times, bass shelving EQ can really benefit voices. Trouble is, adding LOW EQ also boosts stage rumble, mic handling clunks, and breath pops.

## **3. CHANNEL GAIN control (ch. 1 / 2 / 3-4 / 5-6)**

The gain control adjusts the input sensitivity of the mic and line inputs. This allows the signal from mics and instruments to be adjusted to optimal internal levels. If the signals are plugged into the XLR input there is a 0 dB of gain with the knob turned all way down, rising up to 40 dB of gain fully up. When connected to the jack input of any channels, there is 20 dB of attenuation all way down and 20 dB of gain fully up.

## **4. COMP compressor control (ch. 1 / 2)**

Each mono channel features a single-control compressor, able to adjust the overall dynamic range of the signal and to increase its loudness. When rotating the control to the right, the loudest signals are reduced in order to avoid clipping, while the quietest parts are boosted, producing a smooth, unified sound with no excessive peaks or distortion.

*NOTE: avoid setting the compression too high, as the higher average output level that results may lead to feedback.*

## **5. COMP indicator (ch. 1 / 2)**

The COMP LED lights when the signal compression effect is engaged (it depends on the position of the control and on the audio signal level).

## **6. EQ section HIGH control (ch. 1 / 2 / 3-4 / 5-6 / 7-8 / 9-10)**

This control gives you up to 15dB boost or cut at 12KHz with a "SHELVING" curve shape. Use it to increase or reduce the sound "clarity" or "brightness".

## **7. EQ section MID control (ch. 1 / 2 / 3-4 / 5-6)**

This control gives you up to 15 dB boost or cut at 2.5 KHz with a "PEAKING" curve shape. Use it to increase or reduce the sound "presence".

## **8. EQ section LOW control (ch. 1 / 2 / 3-4 / 5-6 / 7-8 / 9-10)**

This control gives you up to 15dB boost or cut at 80Hz with a "SHELVING" curve shape. Use it to increase or reduce the sound "punch".

## **9. FX send control (ch. 1 / 2 / 3-4 / 5-6 / 7-8 / 9-10)**

This control sends the signal to the internal Digital Effect Processor. This signal is post-fader or, in other words, it depends on the position of the channel's FADER.

## **10. PAN control (ch. 1 / 2)**

It adjusts the amount of channel signal sent to the left versus the right outputs. Use it to position the sound origin in a panoramic stereo scene.





### **11. FADER LEVEL control (ch. 1 / 2 / 3-4 / 5-6 / 7-8 / 9-10)**

It adjusts the level of the channel signal and send it to the MAIN MIX outputs.

### **12. PEAK detector (ch. 1 / 2 / 3-4 / 5-6)**

The PEAK LED indicates that the input signal is near to the CLIPPING point.

*IMPORTANT: if the LED PEAK flashes reduce the level of the input signal using the GAIN control.*

### **13. MIC-XLR / LINE-JACK L MONO combo input (ch. 3-4 / 5-6)**

This is a female JACK/XLR combo connector that accepts a balanced microphone XLR input from almost any type of microphone or a balanced or unbalanced line level JACK input signal from almost any line source. If the LINE R jack is not inserted, this channel operates like a MONO channel with this input as a single signal source. Wiring is the same of previous paragraphs.

### **14. LINE-JACK R Input (ch. 3-4 / 5-6)**

This is a JACK connector that accepts a balanced or unbalanced line level input signal from almost any line source. This is used only in presence of LINE L jack input to use the channel as STEREO.

### **15. BAL control (ch. 3-4 / 5-6 / 7-8 / 9-10)**

It adjusts the amount of channel signal sent to the left versus the right outputs if the channel is used as MONO, or it fades the LEFT or RIGHT signal amount if the channel is used as STEREO.

### **16. LINE LEFT/MONO jack input (ch. 7-8 / 9-10)**

This is a female JACK connector that accepts a balanced or unbalanced line level input signal from almost any line source. If the RIGHT jack is not inserted, this channel operates as a MONO channel with this input as a single signal source. Wiring is the same of previous paragraphs.

### **17. LINE RIGHT jack input (ch. 7-8 / 9-10)**

This is a JACK connector that accepts a balanced or unbalanced line level input signal from almost any line source. This is used only in presence of LEFT jack input to use the channel as STEREO.

### **18. LINE RCA L & R inputs (ch. 7-8 / 9-10)**

These RCA inputs can be used instead of the jack inputs: they accept an unbalanced line level input signal from almost any line source.

### **19. FX MUTE pedal jack input**

You can connect a footswitch (normally open) to MUTE the internal effect (suggested footswitch is PROEL model GF29).

### **20. FX SEND jack output**

This jack connector sends out unbalanced line-level signals made of the sum of the input channel's FX sends, usually for connecting to an external effect devices or a stage monitor. This signal is post-fader or, in other words, it depends on the position of the channel's FADER.

### **21. FX PRESETS selector**

The internal Digital Effect Processor is built around a powerful 24bit DSP. It includes 100 different presets of studio-grade effect algorithm.



#### *HOW TO USE THE FX:*

- rotate the SELECTOR knob (21) to choose the type of effect (preset) you want to use; rotating the knob the number on the display scrolls and flashes. After you have chosen the effect, press the SELECTOR (21): the preset will be loaded and the number on the display will remain fixed.
- send the signal to the effect with the FX control (9) of the channel you want to add the effect to;
- rotate the FX LEVEL (25) knob until you hear the effect added to the original signal;
- adjust the FX controls (9) just before the signal input clipping indicated by the peak led (24);
- re-adjust the FX LEVEL (25) knob to combine the wet effected signal with the natural dry signal.

#### *PRESET DESCRIPTION:*

- p 00-09. HALL – This type of reverb simulates the ambience of a concert hall varying its size from larger to smaller. Dense, smooth reverb with long pre delay and a lot of high frequency reflections. Works well with vocals, electric and acoustic guitars, strings and woodwinds.
- p 10-19. ROOM – This type of reverb reproduces the more intimate ambience of natural room acoustics. It features a lot of early reflections with a few of high frequency. Emulating two different type of rooms and scaling their size from bigger to smaller (10-14 and 15-19), works well with vocals, fingered guitars, drums.
- p 20-29. PLATE – This is a simulation of classic '70s and '80s metal plate reverbs, starting with a longer tail scaling to shorter tail. Works well with vocals, and any instrument in order to achieve the vintage sound of many recordings.
- p 30-39. MONO DELAY – Typical echo + feedback effect with decreasing delay times.
- p 40-49. STEREO DELAY – Typical echo + feedback effect with ping-pong of left and right channels with decreasing delay times.
- p 50-59. FLANGER – Creates a strong sweeping effect with decreasing times, particularly effective on rock electric guitar, lead and rhythm.
- p 60-69. CHORUS – Provides a soft, ethereal sweeping effect with decreasing times, perfect for enhancement of electric and acoustic guitar and bass. Also adds a dramatic effect to vocals, particularly group harmonies and choirs.
- p 70-79. DELAY+REV - Typical reverb and echo effect combined together with decreasing times.
- p 80-89. FLANGER+REV - Typical reverb and modulation effect combined together with decreasing times.
- p 90-99. CHORUS+REV – Typical reverb and modulation effect combined together with decreasing times.

## **22. FX DISPLAY number**

This display shows the number of the currently loaded preset. When rotating the FX selector, the display scrolls the numbers and flashes until the new preset is confirmed by pressing the FX selector knob.

## **23. EFFECT MUTE button**

Engage this switch if you want to mute the signal outgoing from the internal effect to the MAIN MIX.

## **24. EFFECT PEAK/MUTE detector**

This LED shows 2 conditions:

- always lighted = signals that the effect is MUTED.
- flashing = signals a too high input level, near to the overload of the effect input stage that can cause audible distortion. In this case, reduce the level of the FX sends.

## **25. FX LEVEL control**

It adjusts the level of the internal effect signal sent to the MAIN MIX outputs.



## **26. MAIN MIX FADER control**

The MAIN MIX controls the output level just before the MAIN MIX outputs and HEADPHONE output. When the potentiometer is fully down the MAIN MIX is off, while the "0" indicates a +4dBu nominal output level. Typically, this control is set near the "0" label and left alone, but it can be used for song fadeouts or quick system-wide mutes.

## **27. MAIN MIX L & R XLR output (balanced)**

These XLR and provide a balanced line-level signal that represents the fully mixed stereo signal controlled by the MAIN MIX. Connect these to the inputs of your power amplifier, powered speaker or other audio processors.

*NOTE: whenever possible, use always balanced cables. Unbalanced lines may also be used but they may result in noise over long cable runs. In any case, avoid using a balanced cable for one channel and an unbalanced one for the other.*

## **28. MAIN MIX L & R jack output (balanced)**

These jack connectors are connected in parallel to the respective XLR outputs.

## **29. PHONES stereo jack output**

STEREO JACK connector for the headphones output: only stereo headphones with a minimum impedance of 32 Ohms should be connected to this output. The signal is the same of MAIN MIX outputs.

## **30. C.ROOM jack output**

These JACK connectors provide an unbalanced line-level signal that can be used to monitor the MAIN MIX program or as an additional output.

## **31. PHONES and C.ROOM level control**

This controls the PHONES and C.ROOM output's level.

## **32. L & R LEVEL meters**

The level meters are made of two columns of four LEDs with three colors to indicate different ranges of signal level:

- green = shows the normal operative level of the signal (from -30 to -6 dBpeak)
- yellow = shows the nominal operative level of the signal (from 0 to +6 dBpeak)
- red = shows a high signal level (near +20 dBpeak CLIP level).

## **33. +48V phantom switch and LED**

This switch activates (LED on) and deactivates (LED Off) the phantom power on MIC Inputs. Most professional condenser microphones require phantom power, which is a lower DC voltage delivered to the microphone on pin 2 and 3 of the XLR microphone connector. Dynamic microphones do not require phantom power, however phantom power will not harm most dynamic microphones should you plug one in while the phantom power is on. Check the manual of your microphone to find out for sure whether or not phantom power can damage it.

## **34. ON LED**

Indicates when the mixer is switched on.



### 35. 18V~ supply socket input

Here's where you plug in your mixer's external power supply. You should always connect your power supply to the mixer before you plug the power supply into an electrical outlet.

### 36. POWER switch

Switch this one on and your mixer has power. Switch it off and it doesn't. Make sure that all master output knobs are turned all the way down when powering your mixer up or down.

### 37. Power cable hook

Use this hook to prevent power cable drawing, simply go through it before connecting the cable into the 18V~ socket.

## TECHNICAL SPECIFICATION

	Type	Data	Connectors
<b>Mic Input 1-6</b>	<i>sensitivity</i>	from -10 to -50 dB	<i>Balanced XLR-F</i>
	<i>impedance</i>	2 Kohm	
<b>Line Input 1-6</b>	<i>sensitivity</i>	from +20 to -20 dB	<i>Balanced JACK</i>
	<i>impedance</i>	10 Kohm	
<b>Lo cut</b>		75Hz, 18dB/oct.	
<b>EQ</b>	<i>HIGH (shelving)</i>	±15 dB @ 12KHz	
	<i>MID (peaking)</i>	±15 dB @ 2.5KHz	
	<i>LOW (shelving)</i>	±15 dB @ 80Hz	
<b>Compressor 1-2</b>	<i>Fet</i>	1 control knob	
<b>Line Input 7-10</b>	<i>sensitivity</i>	-10 dB	<i>Balanced JACK, RCA</i>
	<i>impedance</i>	10 Kohm	
<b>MAIN MIX output</b>	<i>nom. out level</i>	+4 dBu	<i>Balanced JACK and XLR-M</i>
<b>C. ROOM output</b>	<i>nom. out level</i>	0 dBu	<i>Unbalanced JACK</i>
<b>FX SEND output</b>	<i>nom. out level</i>	0 dBu	<i>Unbalanced JACK</i>
<b>HEADPHONES output</b>	<i>min. impedance</i>	32 ohm	<i>Stereo JACK</i>
	<i>max. out level</i>	(2x) 193 mW	
<b>Effects</b>		100 presets	
<b>A/D and D/A converters</b>		24 bit	
<b>DSP resolution</b>		24 bit	
<b>Controls</b>		2-DIGIT display, DIAL, PEAK LED, MUTE switch, MUTE footswitch	
<b>Maximum level</b>	<i>all outputs</i>	+22 dBu	
<b>Crosstalk</b>	<i>meas. at 1 KHz</i>	> 82 dB	
<b>HUM &amp; Noise</b>	<i>unweighted</i>	< -93 dBu	
<b>THD + Noise</b>	<i>at +4dB, 1kHz</i>	< 0,008 %	
<b>Dimensions (WxHxD)</b>		275 x 275 x 76 mm	
<b>Weight</b>		2,50 kg	
<b>Supply</b>		18 VAC 1000 mA	
		use only supplied AC/AC ADAPTER	
<b>Mains Supply Voltage</b>		110-120 VAC (±10%) 50 / 60 Hz (US plug)	
		230-240 VAC (±10%) 50 / 60 Hz (EU plug)	
		240 VAC (±10%) 50 / 60 Hz (UK plug)	
<b>Consumption</b>		34 W	





## SOMMARIO - ITALIANO

TRATTAMENTO DEL DISPOSITIVO ELETTRICO OD ELETTRONICO A FINE VITA .....	16
AVVERTENZE PER LA SICUREZZA .....	16
IN CASO DI GUASTO .....	16
IMBALLAGGIO, TRASPORTO E RECLAMI .....	16
GARANZIE E RESI .....	16
MANUTENZIONE E LIMITAZIONI D'USO .....	17
ALIMENTAZIONE.....	17
CONFORMITÀ CE .....	17
INTRODUZIONE .....	18
DESCRIZIONE .....	18
ISTRUZIONI .....	18
1. MIC-XLR / LINE-JACK ingresso combo (c. 1 / 2).....	18
2. LO CUT filtro elimina bassi (c. 1 / 2).....	20
3. GAIN controllo guadagno (c. 1 / 2 / 3-4 / 5-6) .....	20
4. COMP controllo compressore (c. 1 / 2).....	20
5. COMP indicatore compressione attiva (c. 1 / 2) .....	20
6. EQ HI equalizzatore controllo alti (c. 1 / 2 / 3-4 / 5-6 / 7-8 / 9-10).....	20
7. EQ MID equalizzatore controllo medi (c. 1 / 2 / 3-4 / 5-6) .....	20
8. EQ LOW equalizzatore controllo bassi (c. 1 / 2 / 3-4 / 5-6 / 7-8 / 9-10) .....	20
9. FX controllo mandata (c. 1 / 2 / 3-4 / 5-6 / 7-8 / 9-10).....	20
10. PAN controllo panoramico (c. 1 / 2) .....	21
11. FADER LEVEL controllo di livello del canale (c. 1 / 2 / 3-4 / 5-6 / 7-8 / 9-10).....	21
12. PEAK rilevatore di picco (c. 1 / 2 / 3-4 / 5-6) .....	21
13. MIC-XLR / LINE-JACK L MONO ingresso combo (c. 3-4 / 5-6).....	21
14. LINE R ingresso linea (c. 3-4 / 5-6).....	21
15. BAL controllo bilanciamento (c. 3-4 / 5-6 / 7-8 / 9-10) .....	21
16. LINE LEFT/MONO ingresso linea jack (c. 7-8 / 9-10) .....	21
17. LINE RIGHT ingresso linea jack (c. 7-8 / 9-10) .....	21
18. LINE RCA L & R ingressi RCA (c. 7-8 / 9-10) .....	21
19. FX MUTE ingresso jack per pedale .....	21
20. FX SEND uscita jack.....	21
21. PRESETS selettore effetto .....	22
22. FX DISPLAY number .....	22
23. MUTE tasto per silenziare l'effetto.....	22
24. PEAK/MUTE LED rilevatore di picco e mute .....	22
25. FX LEVEL controllo livello effetto .....	23
26. MAIN MIX livello uscita MIX .....	23
27. MAIN MIX L & R uscite XLR bilanciate .....	23
28. MAIN MIX L & R uscite jack bilanciate .....	23
29. PHONES uscita jack stereo per cuffia .....	23
30. C.ROOM L & R uscite jack control room.....	23
31. C.ROOM/PHONES livello uscita cuffia e c.room.....	23
32. L & R LEVEL METERS indicatori di livello .....	23
33. +48V interruttore e LED alimentazione phantom .....	23



34.	ON indicatore LED acceso/spento .....	24
35.	18V~ presa di alimentazione .....	24
36.	POWER interruttore di accensione.....	24
37.	Gancio di serraggio per cavo di alimentazione .....	24
SPECIFICHE TECNICHE .....		24
Mechanical Dimensions – Dimensioni Meccaniche.....		25
Configurations Example – Esempio Configurazioni .....		26
Connectors - Connettori.....		27



## TRATTAMENTO DEL DISPOSITIVO ELETTRICO OD ELETTRONICO A FINE VITA



Il marchio riportato sul prodotto o sulla documentazione indica che il prodotto non deve essere smaltito con altri rifiuti domestici al termine del ciclo di vita. Per evitare eventuali danni all'ambiente si invita l'utente a separare questo prodotto da altri tipi di rifiuti e di riciclarlo in maniera responsabile per favorire il riutilizzo sostenibile delle risorse materiali. Gli utenti domestici sono invitati a contattare il rivenditore presso il quale è stato acquistato il prodotto o l'ufficio locale preposto per tutte le informazioni relative alla raccolta differenziata e al riciclaggio per questo tipo di prodotto. Gli utenti aziendali sono invitati a contattare il proprio fornitore e verificare i termini e le condizioni del contratto di acquisto. Questo prodotto non deve essere smaltito unitamente ad altri rifiuti commerciali.

## AVVERTENZE PER LA SICUREZZA

- **ATTENZIONE** – Prima di utilizzare il prodotto, si prega di leggere attentamente le seguenti istruzioni per la sicurezza. Prendere visione del manuale d'uso e conservarlo per successive consultazioni. Durante l'uso di un prodotto elettrico devono essere sempre prese precauzioni di base onde evitare danni a cose o persone, incluse le seguenti:
- In presenza di bambini, controllare che il prodotto non rappresenti un pericolo.
- Posizionare l'apparecchio al riparo dagli agenti atmosferici e a distanza di sicurezza dall'acqua, dalla pioggia e dai luoghi ad alto grado di umidità.
- Collocare o posizionare il prodotto lontano da fonti di calore quali radiatori, griglie di riscaldamento e ogni altro dispositivo che produca calore.
- Evitare che qualsiasi oggetto o sostanza liquida entri all'interno del prodotto.
- Il prodotto deve essere connesso esclusivamente alla alimentazione elettrica delle caratteristiche descritte nel manuale d'uso o scritte sul prodotto.

## IN CASO DI GUASTO

- In caso di guasto o manutenzione questo prodotto deve essere ispezionato da personale qualificato quando:
  - Sostanze liquide sono penetrate all'interno del prodotto.
  - Il prodotto è caduto e si è danneggiato.
  - Il prodotto non funziona normalmente esibendo un marcato cambio di prestazioni.
- Non intervenire sul prodotto. Rivolgersi a un centro di assistenza autorizzato Proel.

## IMBALLAGGIO, TRASPORTO E RECLAMI

- L'imballo è stato sottoposto a test di integrità secondo la procedura ISTA 1A. Si raccomanda di controllare il prodotto subito dopo l'apertura dell'imballo.
- Se vengono riscontrati danni informare immediatamente il rivenditore. Conservare quindi l'imballo completo per permetterne l'ispezione.
- Proel declina ogni responsabilità per danni causati dal trasporto.
- Le merci sono vendute "franco nostra sede" e viaggiano sempre a rischio e pericolo del distributore.
- Eventuali avarie e danni dovranno essere contestati al vettore. Ogni reclamo per imballi manomessi dovrà essere inoltrato entro 8 giorni dal ricevimento della merce.

## GARANZIE E RESI

- I Prodotti Proel sono provvisti della garanzia di funzionamento e di conformità alle proprie specifiche, come dichiarate dal costruttore.
- La garanzia di funzionamento è di 24 mesi dopo la data di acquisto. I difetti rilevati entro il periodo di garanzia sui prodotti venduti, attribuibili a materiali difettosi o difetti di costruzione, devono essere tempestivamente





segnalati al proprio rivenditore o distributore, allegando evidenza scritta della data di acquisto e descrizione del tipo di difetto riscontrato. Sono esclusi dalla garanzia difetti causati da uso improprio o manomissione. Proel SpA constata tramite verifica sui resi la difettosità dichiarata, correlata all'appropriato utilizzo, e l'effettiva validità della garanzia; provvede quindi alla sostituzione o riparazione dei prodotti, declinando tuttavia ogni obbligo di risarcimento per danni diretti o indiretti eventualmente derivanti dalla difettosità.

## **MANUTENZIONE E LIMITAZIONI D'USO**

- Pulire il prodotto unicamente con un panno asciutto.
- I Prodotti Proel sono destinati esclusivamente ad un utilizzo specifico di tipo sonoro: segnali di ingresso di tipo audio (20Hz-20kHz). Proel declina ogni responsabilità per danni a terzi causati da mancata manutenzione, manomissioni, uso improprio o installazione non eseguita secondo le norme di sicurezza.
- Proel S.p.A. si riserva di modificare il prodotto e le sue specifiche senza preavviso.
- Proel S.p.A. declina ogni responsabilità per danni a terzi causati da mancata manutenzione, manomissioni, uso improprio o installazione non eseguita secondo le norme di sicurezza e a regola d'arte.

## **ALIMENTAZIONE**

- Non posizionare l'adattatore AC e il cavo di alimentazione in prossimità di fonti di calore, quali radiatori o caloriferi. Non piegarlo eccessivamente né danneggiarlo. Non posizionare oggetti pesanti sul cavo, né collocarlo in luoghi dove potrebbe essere calpestato.
- Prima di collegare l'apparecchio alla presa di corrente, accertatevi che la tensione di rete corrisponda a quella indicata sulla targhetta dell'adattatore AC e che la presa di rete sia protetta da interruttori differenziale e magnetotermico, è consentito un margine del  $\pm 10\%$  rispetto al valore nominale.
- L'adattatore di alimentazione incluso potrebbe non essere utilizzabile in paesi diversi da quello in cui si è effettuato l'acquisto dell'unità.
- Utilizzare solo l'adattatore AC fornito. L'utilizzo di un adattatore non adeguato potrebbe causare danni all'apparato o surriscaldamento.
- Quando si installa il dispositivo, assicurarsi che la presa di corrente sia facilmente accessibile. Qualora si verificasse un problema o un malfunzionamento, immediatamente spegnere l'apparato e disconnetterlo dalla rete elettrica. Anche quando spento, della elettricità potrebbe circolare nell'apparato a livelli minimi. Quando il dispositivo rimane inutilizzato per un lungo periodo di tempo o prima di un temporale, assicurarsi di scollegare il cavo dalla presa rete per ridurre il rischio di scossa elettrica e incendio.

## **CONFORMITÀ CE**

- I Prodotti Proel sono conformi alla direttiva LVD 2014 / 35 / CE, secondo lo standard EN 60065.
- PROEL S.p.A dichiara che questo prodotto è conforme ai requisiti essenziali ed alle altre disposizioni pertinenti stabilite dalla direttiva EMC 2014 / 30 / CE, secondo gli standard EN 55103-1 e EN 55103-2.



## INTRODUZIONE

Grazie per aver scelto un prodotto PROEL e della fiducia riposta nel nostro marchio, sinonimo di professionalità, accuratezza, elevata qualità ed affidabilità. Tutti i nostri prodotti sono conformi alle normative CE per utilizzazione continua in impianti di diffusione sonora.

## DESCRIZIONE

MQ è una serie di mixer creati da PROEL per offrire in un formato molto compatto e attraente un'alta densità di ingressi, una serie completa di funzioni ed una superiore qualità audio, ad un livello di prezzo molto conveniente. La serie MQ include 5 modelli con 6, 10, 12 e 16 canali, in grado di soddisfare le più svariate applicazioni di rinforzo sonoro. Accuratamente disegnati e ingegnerizzati in Italia da PROEL R&D, i mixer MQ sono alloggiati in scocche ultra-resistenti, che garantiscono una durata prolungata ed un utilizzo intensivo su ogni tipo di palco.

I modelli più piccoli della serie, MQ6 e MQ6FX, offrono in formati ultra-compatti le prestazioni di console professionali, con un suono pulito e accurato. MQ6FX, nonostante le ridotte dimensioni, include un DSP ad alta definizione, in grado di fornire a musicisti e performer effetti di qualità recording.

MQ10FX, insieme all'EQ a 3 bande e al COMPRESSORI intelligenti a controllo singolo, dispone di 100 preset DSP selezionabili tramite un comodo LED.

Le funzioni aggiuntive di MQ12USB includono una interfaccia audio USB I/O e maggiori capacità di mixaggio con mandata MONITOR, GROUP STEREO e controlli fader da 45mm.

Il top di gamma MQ16USB offre 16 ingressi e 12 canali microfonicici, insieme a medi semi-parametrici, COMPRESSORI intelligenti a controllo singolo, 4 mandate AUX, GROUP STEREO e controlli fader da 60mm.

Sono disponibili come accessori opzionali borse imbottite per il trasporto e adattatori metallici per il montaggio in rack 19" per modelli selezionati.

## ISTRUZIONI

### 1. MIC-XLR / LINE-JACK ingresso combo (c. 1 / 2)

È un connettore femmina MIC-XLR / LINE-JACK combinato, in grado di accettare con un connettore XLR un segnale microfonico bilanciato da ogni tipo di microfono, oppure con un connettore JACK un segnale di livello linea bilanciato o sbilanciato da ogni tipo di sorgente di linea.

L'ingresso XLR ha i seguenti terminali:

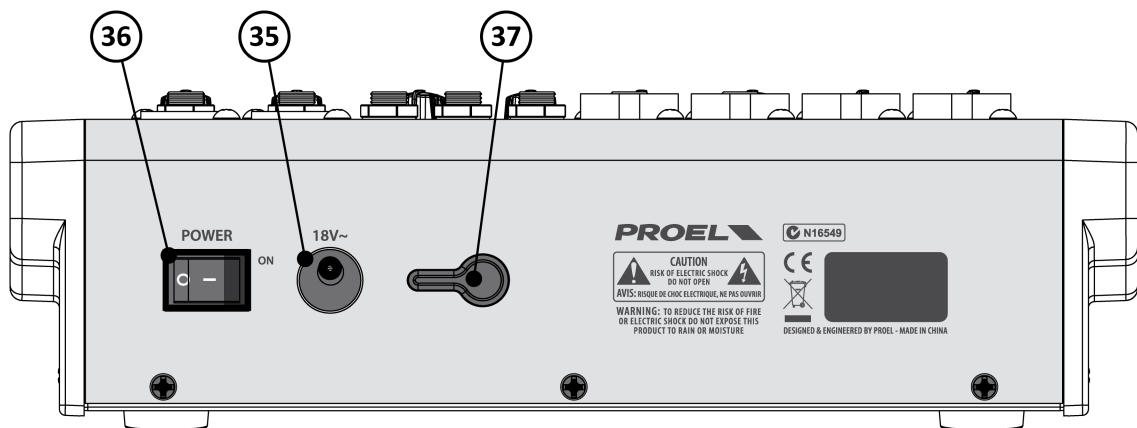
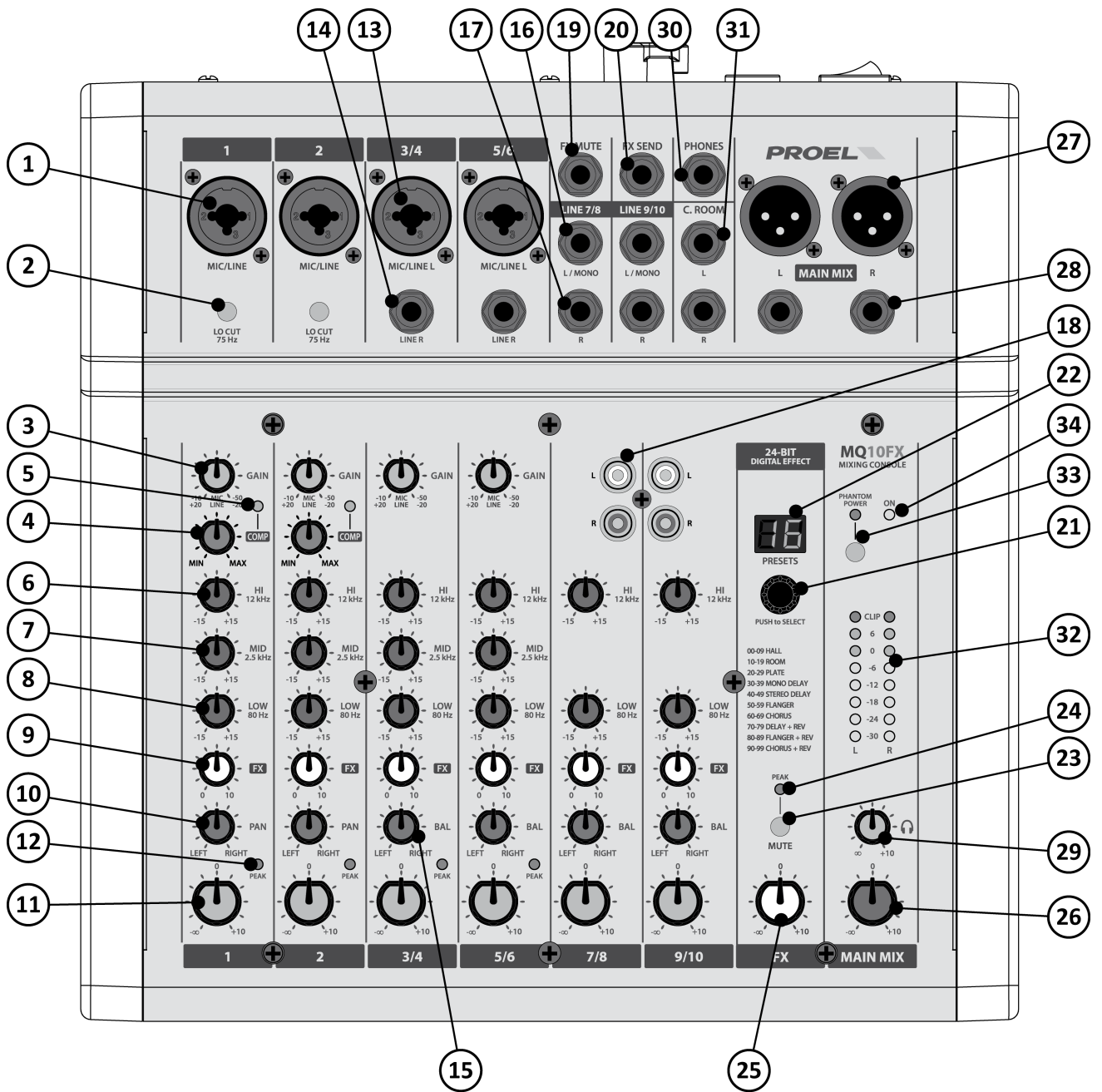
- Pin 1 = schermo o massa
- Pin 2 = + positivo o "caldo"
- Pin 3 = - negativo o "freddo"

L'ingresso LINE-JACK ha i seguenti terminali:

- Tip (punta) = + positivo o "caldo"
- Ring (anello) = - negativo o "freddo"
- Sleeve (manicotto) = schermo o massa

Quando si collega un segnale sbilanciato, le terminazioni sono le seguenti:

- Tip (punta) = + positivo o "caldo"
- Sleeve (manicotto) = schermo o massa





## **2. LO CUT filtro elimina bassi (c. 1 / 2)**

Questo tasto elimina le basse frequenze al di sotto dei 75 Hz con una pendenza di 18 dB per ottava. L'uso del filtro LO CUT è consigliato su ogni microfono eccetto la grancassa, il basso, sintetizzatori o tracce pre-registrate. Infatti, tranne che per questi strumenti, per tutti gli altri al di sotto di tale frequenza in genere non c'è nulla da ascoltare: eliminando queste frequenze, i bassi restanti al di sopra dei 75Hz saranno più incisivi e piacevoli. Non solo ma dal vivo, in abbinamento al LOW EQ e in particolare sulle voci, l'uso del filtro LO CUT riduce la possibilità di rientri (feedback) e preserva la potenza dell'amplificatore. LO CUT riduce anche i rumori da maneggiamento dei microfoni, da vibrazioni del palco e dal respiro, rendendo possibile aumentare i bassi con EQ LOW per dare maggior vigore alla voce.

## **3. GAIN controllo guadagno (c. 1 / 2 / 3-4 / 5-6)**

Il controllo GAIN regola la sensibilità di ingresso dell'ingresso MIC o LINE. Questo permette di regolare il segnale in ingresso da microfoni o strumenti al livello ottimale interno del mixer. Se il segnale è collegato all'ingresso XLR si hanno 10 dB di guadagno con la manopola girata al minimo e fino a 50 dB girandola verso il massimo. Quando collegato all'ingresso jack si hanno 20 dB di attenuazione con la manopola girata al minimo e 20 dB di guadagno se girata al massimo.

## **4. COMP controllo compressore (c. 1 / 2)**

Ciascun canale mono include un compressore a controllo singolo, in grado di regolare il range dinamico del segnale e di aumentarne l'intensità. Ruotando il controllo verso destra, i segnali di livello più elevato vengono limitati per evitare clipping, mentre le parti di livello più basso vengono incrementate, producendo un suono omogeneo e uniforme, senza picchi eccessivi o distorsioni.

*NOTA: evitare di usare compressioni troppo elevate, infatti alzandosi il volume medio del segnale potrebbero manifestarsi fenomeni di feedback.*

## **5. COMP indicatore compressione attiva (c. 1 / 2)**

Il LED adiacente si accende quando, superata una certa soglia, si abilita la compressione (dipende dalla posizione del controllo e dal livello del segnale audio).

## **6. EQ HI equalizzatore controllo alti (c. 1 / 2 / 3-4 / 5-6 / 7-8 / 9-10)**

Questo controllo permette di guadagnare o attenuare fino a 15dB a 12KHz con una curva di tipo "SHELVING". Da usarsi per aumentare o ridurre la "chiarezza" o "brillanza" del suono.

## **7. EQ MID equalizzatore controllo medi (c. 1 / 2 / 3-4 / 5-6)**

Questo controllo permette di guadagnare o attenuare fino a 15 dB a 2.5 KHz con una curva tipo "PEAKING". Da usarsi per aumentare o ridurre la "presenza" del suono.

## **8. EQ LOW equalizzatore controllo bassi (c. 1 / 2 / 3-4 / 5-6 / 7-8 / 9-10)**

Questo controllo permette di guadagnare o attenuare fino a 15dB a 80Hz con una curva di tipo "SHELVING". Da usarsi per aumentare o ridurre il "vigore" del suono.

## **9. FX controllo mandata (c. 1 / 2 / 3-4 / 5-6 / 7-8 / 9-10)**

Questo controllo invia il segnale all'effetto digitale interno. Questo segnale è post-fader o, in altre parole, dipende dalla posizione del FADER di canale.



## **10. PAN controllo panoramico (c. 1 / 2)**

Regola la quantità del segnale da inviare alle uscite sinistra o destra. Da usarsi per posizionare il suono in una scena panoramica stereo.

## **11. FADER LEVEL controllo di livello del canale (c. 1 / 2 / 3-4 / 5-6 / 7-8 / 9-10)**

Regola il livello del segnale del canale e lo invia alle uscite MAIN MIX.

## **12. PEAK rilevatore di picco (c. 1 / 2 / 3-4 / 5-6)**

Il LED PEAK lampeggia quando il segnale di ingresso è prossimo alla distorsione.

*IMPORTANTE: se il LED PEAK lampeggia ridurre il livello del segnale di ingresso usando il controllo del guadagno (GAIN).*

## **13. MIC-XLR / LINE-JACK L MONO ingresso combo (c. 3-4 / 5-6)**

È un connettore JACK/XLR combinato, in grado di accettare con un connettore XLR un segnale microfonico bilanciato da ogni tipo di microfono, oppure con un connettore JACK un segnale di livello linea bilanciato o sbilanciato da ogni tipo di sorgente di linea. Se il jack LINE R non è inserito, questo canale opera come un canale MONO con questo ingresso come sorgente unica. I terminali sono gli stessi del precedente capitolo.

## **14. LINE R ingresso linea (c. 3-4 / 5-6)**

È un connettore tipo JACK, in grado di accettare un segnale a livello linea bilanciato o sbilanciato da ogni tipo di sorgente. È usato solo in presenza del jack LINE L per usare il canale in modalità STEREO.

## **15. BAL controllo bilanciamento (c. 3-4 / 5-6 / 7-8 / 9-10)**

Regola la quantità del segnale da inviare alle uscite sinistra o destra se il canale è usato in MONO, oppure riduce la quantità di segnale destro e sinistro se il canale è usato in STEREO.

## **16. LINE LEFT/MONO ingresso linea jack (c. 7-8 / 9-10)**

È un connettore JACK in grado di accettare un segnale di livello linea bilanciato o sbilanciato da ogni tipo di sorgente di linea. Se il jack LINE RIGHT non è inserito, questo canale opera come un canale MONO con questo ingresso come sorgente unica. I terminali sono gli stessi del precedente capitolo.

## **17. LINE RIGHT ingresso linea jack (c. 7-8 / 9-10)**

È un connettore tipo JACK in grado di accettare un segnale a livello linea bilanciato o sbilanciato da ogni tipo di sorgente di linea. È usato solo in presenza del jack LINE LEFT per usare il canale in modalità STEREO.

## **18. LINE RCA L & R ingressi RCA (c. 7-8 / 9-10)**

Questi ingressi RCA possono essere usati al posto degli ingressi JACK, essi accettano un segnale di ingresso sbilanciato a livello linea da praticamente ogni tipo di sorgente.

## **19. FX MUTE ingresso jack per pedale**

Connettere un pedale footswitch (normalmente aperto) per silenziare l'effetto interno del mixer (un pedale suggerito è il modello PROEL GF29).

## **20. FX SEND uscita jack**

Questo connettore jack invia all'esterno un segnale linea sbilanciato composto dalla somma di tutte le mandate FX dei singoli canali. È solitamente usato per connettere l'ingresso di un effetto esterno o di un



monitor da palco. Questo segnale (post-fader) dipende dalla posizione del controllo di livello del canale.

## 21. PRESETS selettore effetto

L'effetto digitale interno è basato su un potente DSP a 24bit. Include 100 preset con algoritmi di effetto studio-grade.

### COME USARE L'EFFETTO DIGITALE:

- ruotare il selettore (21) per scegliere il tipo di effetto (preset) che si vuole usare. Ruotando la manopola il numero sul display scorre e lampeggia: dopo aver scelto l'effetto premere il selettore (21), il preset viene caricato e il numero sul display rimane fisso.
- inviare il segnale all'effetto usando il controllo FX (9) del canale a cui si vuole aggiungere l'effetto;
- ruotare la manopola FX LEVEL (25) fino ad udire l'effetto,
- regolare i controlli FX (9) prima della saturazione del segnale indicata dal LED di picco (24),
- regolare nuovamente la manopola FX LEVEL (25) per combinare il segnale dell'effetto con il segnale naturale.

### DESCRIZIONE PRESET:

p 00-09. HALL – Questo tipo di riverbero simula l'ambiente di una grande sala da concerto variando da più grande a più piccola. Denso e armonioso riverbero con una coda lunga e molte riflessioni di alte frequenze. Adatto a voci, chitarre, archi, fiati.

p 10-19. ROOM – Questo tipo di riverbero riproduce un più intimo ambiente acustico di una stanza. Emula due tipi di stanze variando da più grandi a più piccole (10-14 e 15-19), Caratterizzato da veloci e sparpagliate prime riflessioni con molte alte frequenze. Adatto a voci, chitarre pizzicate, percussioni.

p 20-29. PLATE – Questa è una simulazione del classico e stupefacente riverbero "plate" degli anni '70-80, con decadimento da lungo a corto. Adatto a voci e ogni tipo di strumento per ottenere il suono "vintage" di molte registrazioni.

p 30-39. MONO DELAY – Tipico effetto eco con ripetizioni e con tempi di ritardo decrescenti.

p 40-49. STEREO DELAY – Tipico effetto eco con ripetizioni e ping-pong sui canali sinistro e destro e con tempi di ritardo decrescenti.

p 50-59. FLANGER – Crea un forte effetto spazzolato con tempi decrescenti, particolarmente efficace su chitarre elettriche, soliste e ritmiche.

p 60-69. CHORUS – Fornisce un effetto spazzolato morbido ed etereo con tempi decrescenti, perfetto per la valorizzazione di chitarra e basso elettrici e acustici. Aggiunge anche un effetto drammatico alla voce, in particolare armonie di gruppo e cori.

p 70-79. DELAY+REV - Tipici effetti riverbero ed eco combinati assieme con tempi decrescenti.

p 80-89. FLANGER+REV - Tipici effetti riverbero e modulazione combinati assieme con tempi decrescenti.

p 90-99. CHORUS+REV – Tipici effetti riverbero e modulazione combinati assieme con tempi decrescenti.

## 22. FX DISPLAY number

Questo display mostra il numero del preset corrente: ruotando il selettore FX, il display scorre i numeri e lampeggia finché il nuovo preset viene confermato premendo la manopola del selettore FX.

## 23. MUTE tasto per silenziare l'effetto

Premere questo tasto se si vuole silenziare il segnale uscente dall'effetto interno al MAIN MIX.

## 24. PEAK/MUTE LED rilevatore di picco e mute

Questo LED mostra due condizioni:

- sempre acceso = segnala che l'effetto è in MUTE.
- lampeggiante = segnala un livello di ingresso troppo alto, prossimo a sovraccaricare l'ingresso dell'effetto.



In questo caso, ridurre il livello delle mandate FX.

### **25. FX LEVEL controllo livello effetto**

Regola il livello del segnale dell'effetto interno inviato alle uscite MAIN MIX.

### **26. MAIN MIX livello uscita MIX**

Il MAIN MIX controlla il livello di uscita esattamente prima delle uscite MAIN MIX e delle uscite HEADPHONES/C.ROOM. Quando il potenziometro è al minimo, il MAIN MIX è spento, mentre il punto "0" indica un livello nominale di uscita su cavo bilanciato di +4dBu. Tipicamente questo controllo viene impostato prossimo allo "0" e ivi lasciato, ma può essere usato anche per sfumare le canzoni o silenziare velocemente l'impianto audio in caso di necessità.

### **27. MAIN MIX L & R uscite XLR bilanciate**

Questi connettori XLR (+4dBu) forniscono un'uscita di livello linea bilanciata del bus stereo controllato dal MAIN MIX. Collegarle agli ingressi di un amplificatore, ad altoparlanti amplificati o ad altro processore audio.

*NOTA: se possibile, usare sempre cavi bilanciati. Cavi sbilanciati possono essere usati ma potrebbero dare problemi di rumore se molto lunghi. In ogni caso, evitate di usare un cavo bilanciato per un canale e uno sbilanciato per l'altro.*

### **28. MAIN MIX L & R uscite jack bilanciate**

Questi connettori JACK sono collegati in parallelo alle rispettive uscite XLR.

### **29. PHONES uscita jack stereo per cuffia**

Connettore STEREO JACK per uscita cuffia: le cuffie devono avere una impedenza minima di 32 Ohm.

### **30. C.ROOM L & R uscite jack control room**

Questi connettori JACK forniscono un'uscita sbilanciata a livello linea che può essere usata per controllare separatamente il programma in uscita dal MAIN MIX ed anche come uscita supplementare.

### **31. C.ROOM/PHONES livello uscita cuffia e c.room**

Regola il livello delle uscite jack CONTROL ROOM e PHONES.

### **32. L & R LEVEL METERS indicatori di livello**

Gli indicatori di livello sono costituiti di due colonne di quattro LED di tre colori, che indicano diversi livelli operativi:

- verde = normale livello operativo del segnale (da -30 a -6 dBpeak)
- giallo = livello operativo nominale del segnale (da 0 a +6 dBpeak)
- rosso = livello del segnale alto (prossimo al livello di CLIP +20 dBpeak).

### **33. +48V interruttore e LED alimentazione phantom**

Questo interruttore attiva (LED acceso) e disattiva (LED spento) l'alimentazione phantom negli ingressi microfonici MIC. La maggior parte dei microfoni professionali a condensatore richiedono l'alimentazione phantom, una bassa tensione continua DC portata al microfono sui terminali 2 e 3 del connettore XLR. I microfoni dinamici non richiedono l'alimentazione phantom, tuttavia questa non dovrebbe arrecare loro alcun danno se inseriti quando è attivata. Controllare il manuale del microfono per assicurarsi se l'alimentazione phantom possa danneggiarlo.



### 34. ON indicatore LED acceso/spento

Indica quando il mixer è acceso.

### 35. 18V~ presa di alimentazione

Presa di ingresso dell'alimentatore AC ADAPTOR esterno. Collegare sempre questo connettore prima di inserire l'alimentatore nella presa di rete.

### 36. POWER interruttore di accensione

Commutando questo interruttore il mixer sarà alimentato, commutandolo nuovamente sarà spento. Assicurarsi che tutte le manopole delle uscite siano al minimo quando si accende e si spegne il mixer.

### 37. Gancio di serraggio per cavo di alimentazione

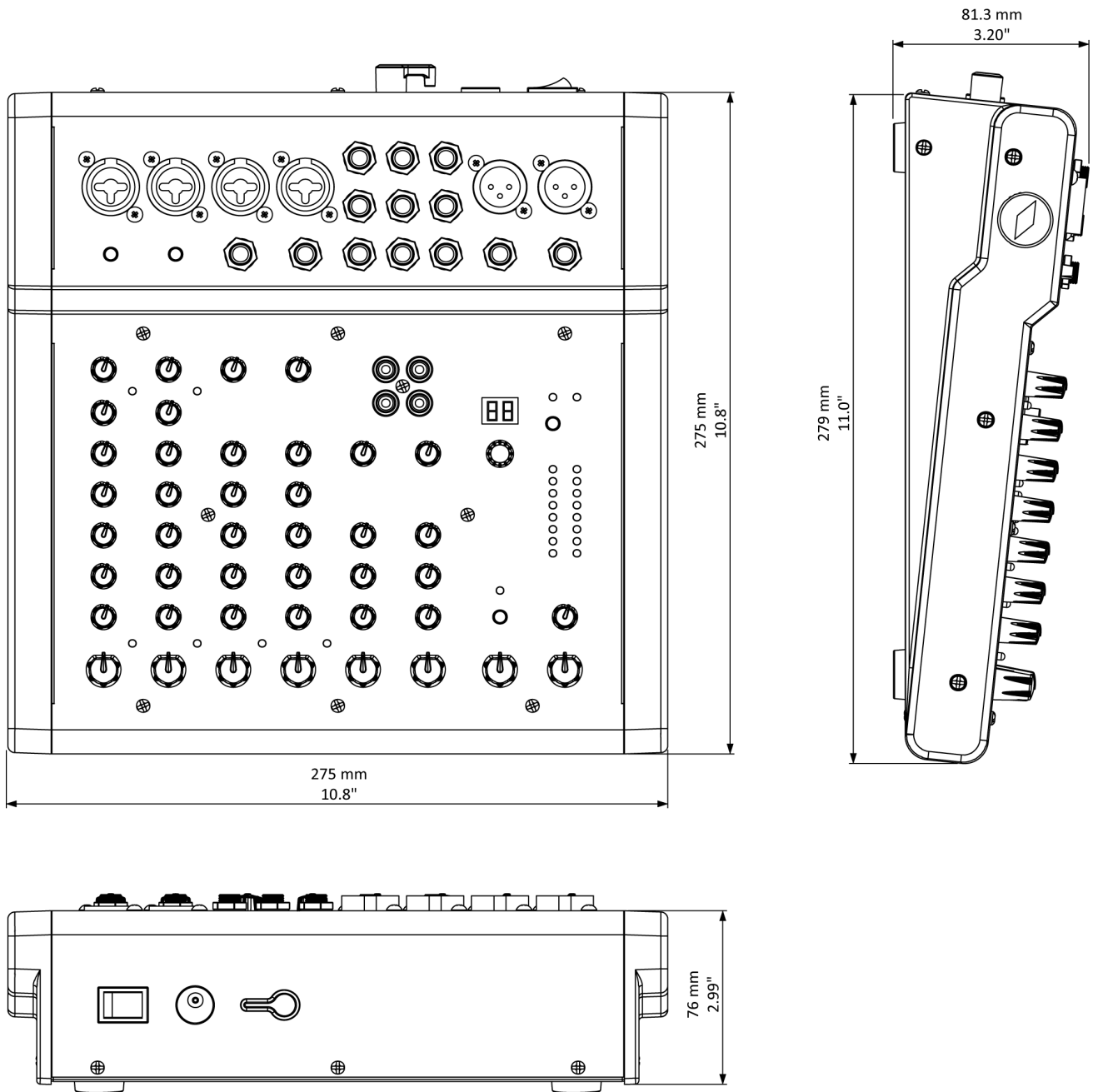
Usare questo gancio per prevenire l'estrazione accidentale del cavo di alimentazione, semplicemente facendoci passare il cavo attraverso prima di collegarlo alla presa da 18V~.

## SPECIFICHE TECNICHE

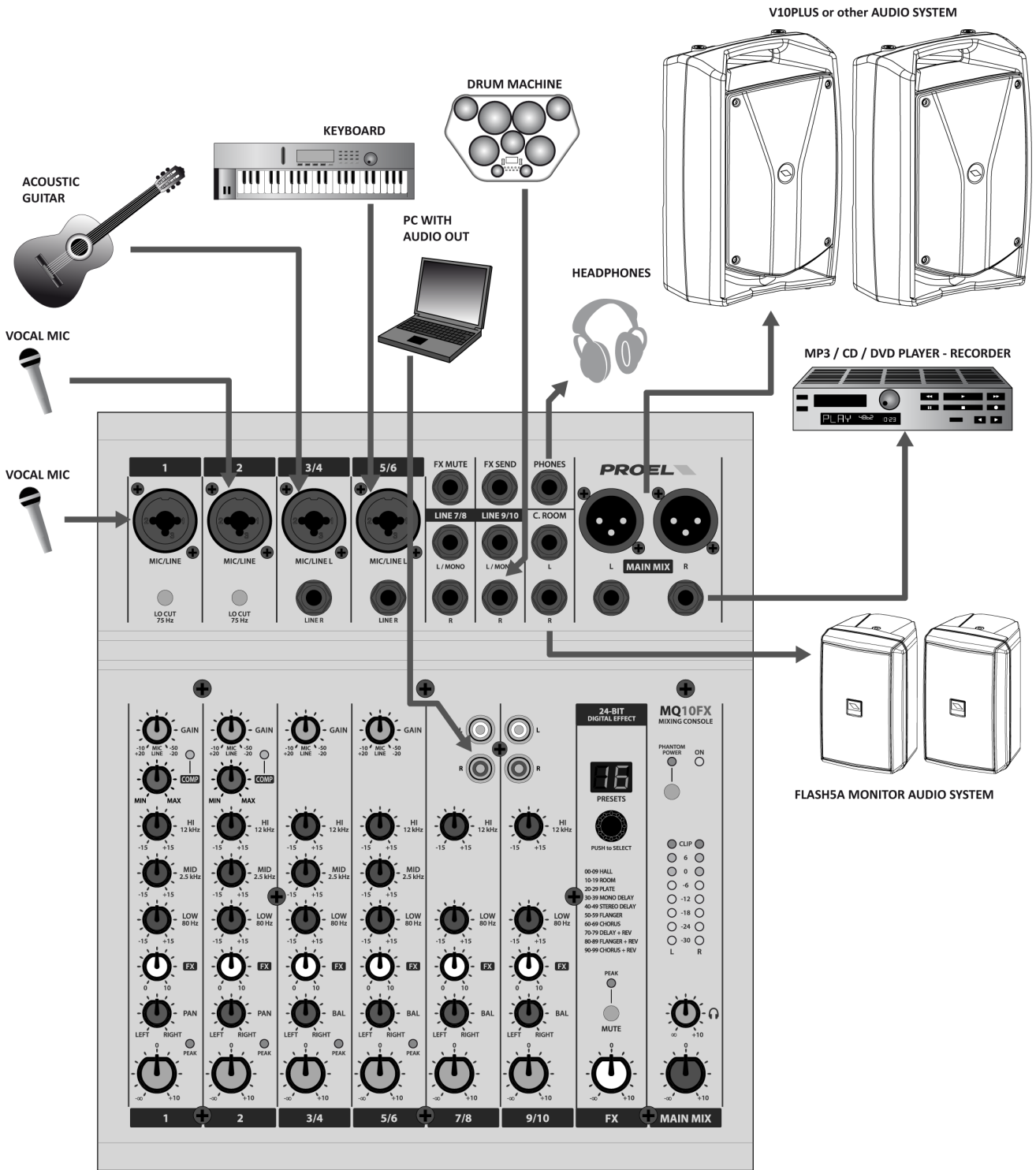
	Tipo	Valore	Connessioni
Ingresso Mic 1-6	<i>sensibilità</i> <i>impedenza</i>	da -10 a -50 dB 2 Kohm	<i>Bilanciata XLR-F</i>
Ingresso Line 1-6	<i>sensibilità</i> <i>impedenza</i>	da +20 a -20 dB 10 Kohm	<i>Bilanciata JACK</i>
Filtro Lo cut		75Hz, 18dB/oct.	
EQ	<i>HIGH (shelving)</i> <i>MID (peaking)</i> <i>LOW (shelving)</i>	±15 dB @ 12KHz ±15 dB @ 2.5KHz ±15 dB @ 80Hz	
Compressore 1-2	<i>Fet</i>	1 control knob	
Ingresso Line 7-10	<i>sensibilità</i> <i>impedenza</i>	-10 dB 10 Kohm	<i>Bilanciata JACK/RCA</i>
Uscita MAIN MIX	<i>livello nominale</i>	+4 dBu	<i>Bilanciata JACK e XLR-M</i>
Uscita C. ROOM output	<i>livello nominale</i>	0 dBu	<i>Sbilanciata JACK</i>
Uscita FX SEND output	<i>livello nominale</i>	0 dBu	<i>Sbilanciata JACK</i>
Uscita CUFFIE	<i>impedenza min.</i> <i>livello max</i>	32 ohm (2x) 193 mW	<i>Stereo JACK</i>
Effetti		100 presets	
Convertitori A/D e D/A		24 bit	
Risoluzione DSP		24 bit	
Controlli		2-DIGIT display, DIAL, PEAK LED, MUTE switch, MUTE footswitch	
Livello Massimo	<i>all outputs</i>	+22 dBu	
Diafonia	<i>mis. a 1 KHz</i>	> 82 dB	
HUM & Noise	<i>non pesato</i>	< -93 dBu	
THD + Noise	<i>a +4dB, 1kHz</i>	< 0,008 %	
Dimensioni (LxAxP)		275 x 275 x 76 mm	
Peso		2,50 kg	
Alimentazione		18 VAC 1000 mA use only supplied AC/AC ADAPTER	
Tensione di rete		110-120 VAC (±10%) 50 / 60 Hz (spina US) 230-240 VAC (±10%) 50 / 60 Hz (spina EU) 240 VAC (±10%) 50 / 60 Hz (spina UK)	
Assorbimento		34 W	



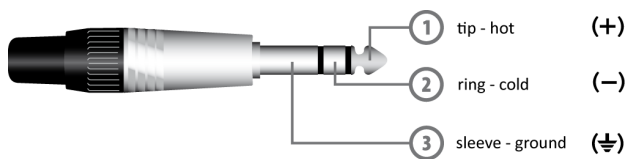
## Mechanical Dimensions – Dimensioni Meccaniche



# Configurations Example – Esempio Configurazioni

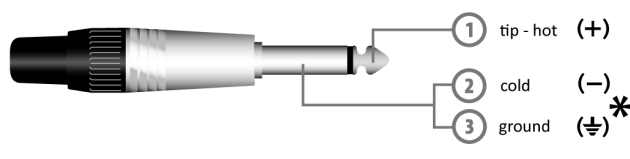


## Connectors - Connettori



LINE IN, various OUT  
Jack (balanced)

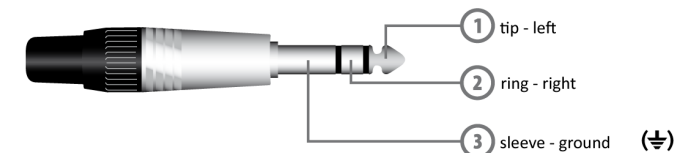
LINE IN, OUT vari  
Jack (bilanciato)



LINE IN, various OUT  
Jack (unbalanced)

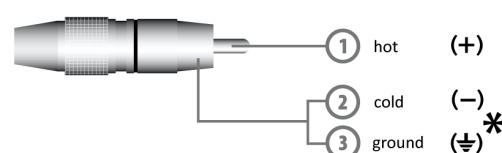
LINE IN, OUT vari  
Jack (sbilanciato)

\*note: connect both cold and ground to make cable from balanced to unbalanced per cavi da bilanciato a sbilanciato



PHONES  
Stereo Jack

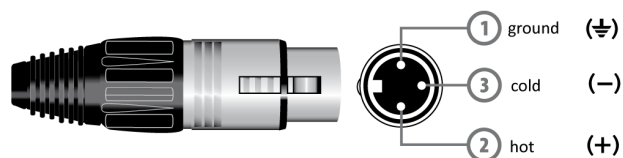
PHONES  
Jack stereo



RCA IN  
Jack (unbalanced)

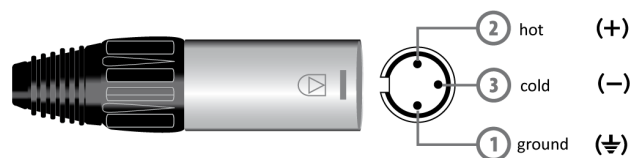
RCA IN  
Jack (sbilanciato)

\*note: connect both cold and ground to make cable from balanced to unbalanced per cavi da bilanciato a sbilanciato



MAIN MIX OUT  
Balanced female XLR

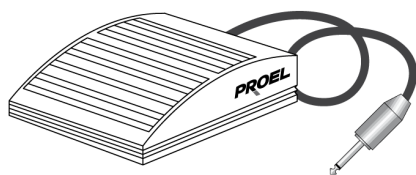
MAIN MIX OUT  
XLR bilanciato femmina



MIC INPUT  
Balanced male XLR

MIC INPUT  
XLR bilanciato maschio

Normally open momentary footswitch  
Pedale a interruttore momentaneo normalmente aperto



proel code: PFS29 or PFS24 (optional)



**PROEL S.p.A.**

(World Headquarters - Factory)

Via alla Ruenia 37/43

64027 Sant'Omero (Te) – Italy

Tel: +39 0861 81241

Fax: +39 0861 887862

[www.proel.com](http://www.proel.com)